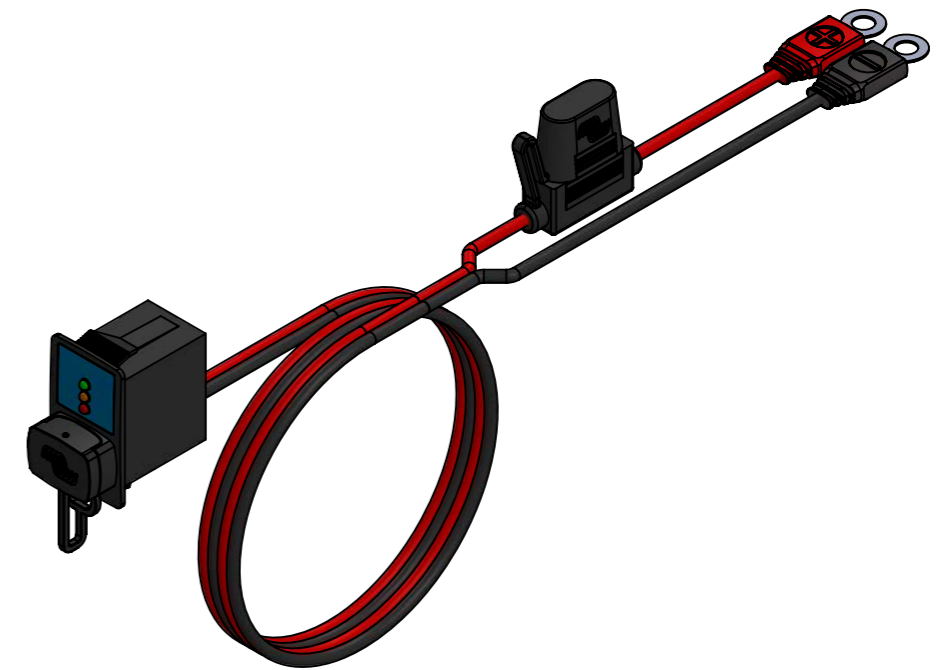
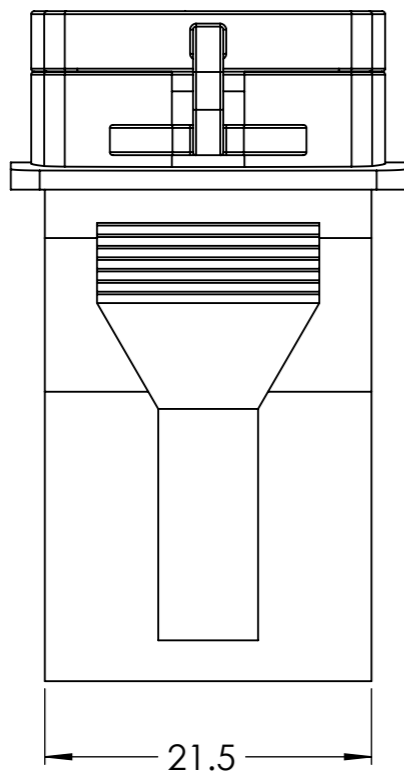
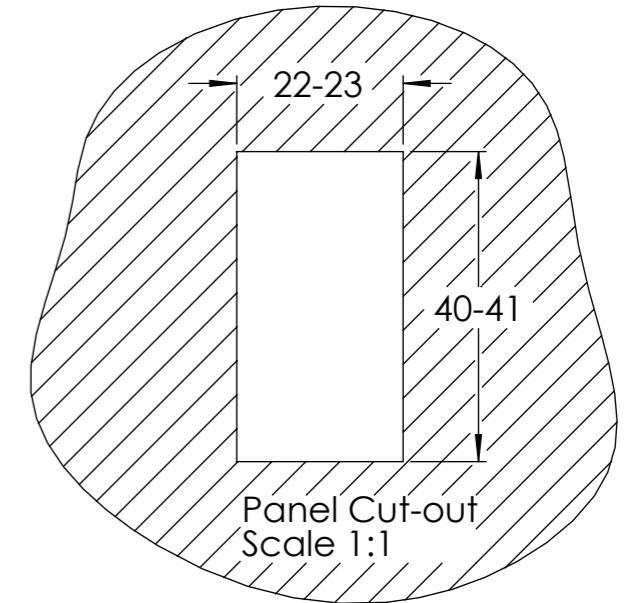
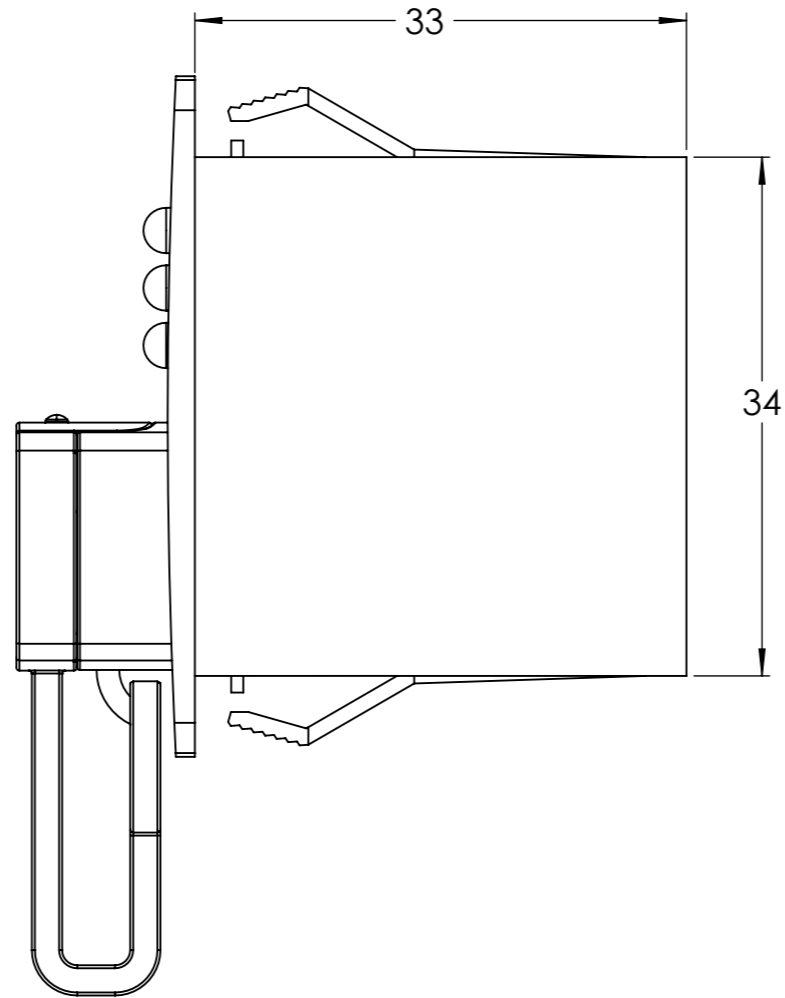
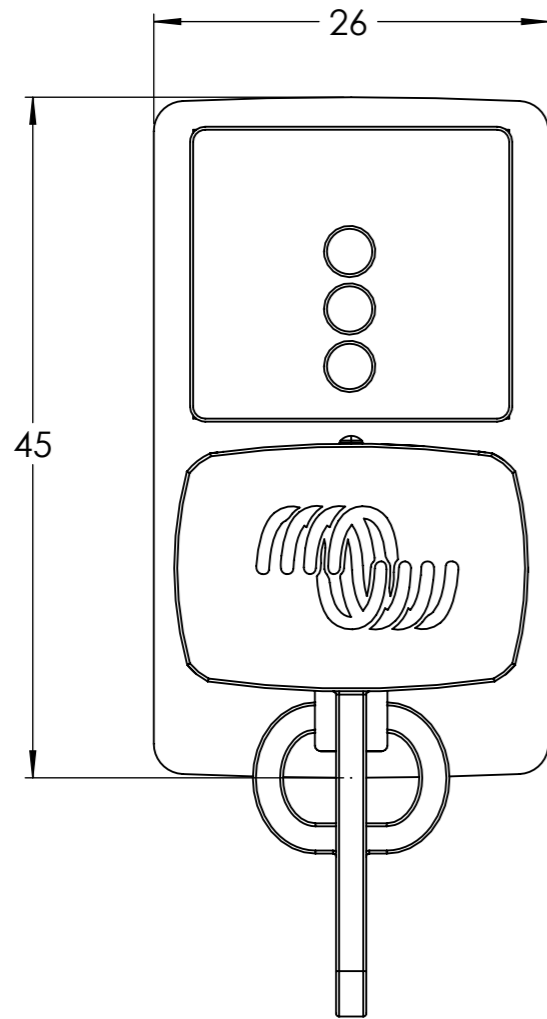


Dimension Drawing - Battery Indicator Panel	
BPC900110114	Battery Indicator Panel (M8 eyelet connector / 30ATO fuse)



Dimensions in mm

