

Busbar 150 A with cover

www.victronenergy.com

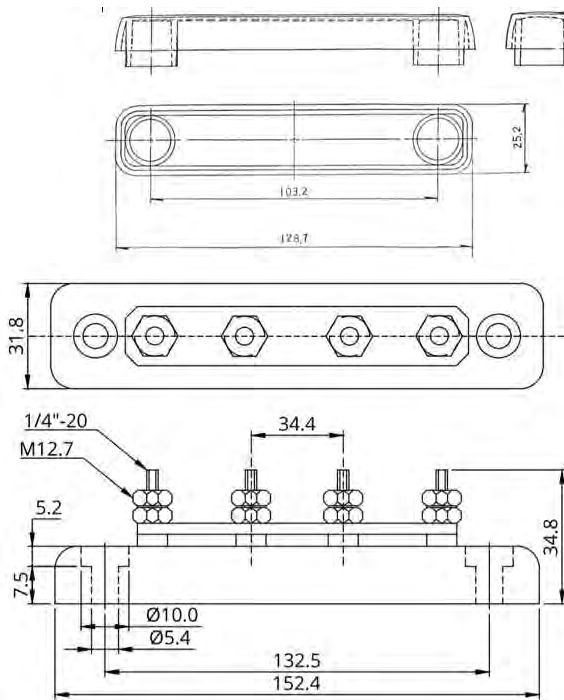


Busbar 150 A with 6 terminals without cover

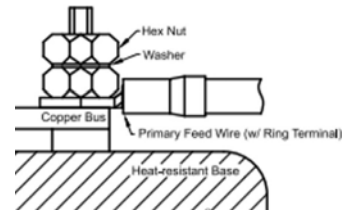


Busbar 150 A with 4 terminals with cover

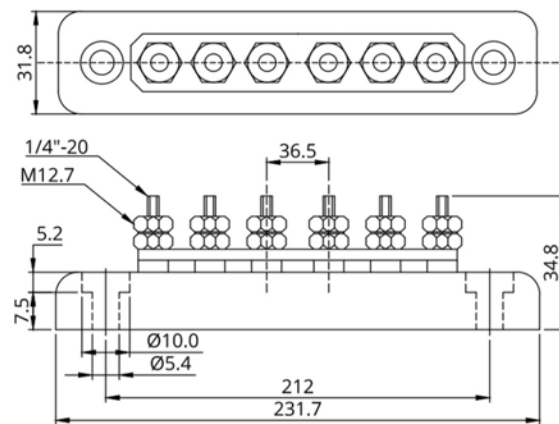
Busbar 150 A with cover	
Max. current	150 A
Max. Voltage	70 VDC
Terminal diameter	¼ inch / 6.35 mm
Terminal height	0.67 inch / 17 mm
Terminal material	Stainless steel
Hex nut material	Tin-plated copper
Recommended torque	60 lbf-inch / 7 N·m
Busbar strip material	Tin-plated copper (1.4 x 18 mm)
Base material	ABS, black, UL 94 V-0
Cover material	Clear Polycarbonate, UL 94 HB
Weight, 4 terminals	0.4 lb / 0.2 kg
Dimensions (hwxwd) (with cover)	1.8 x 6.0 x 1.25 inch 45 x 152.4 x 31.8 mm
Weight, 6 terminals	0.6 lb / 0.27 kg
Dimensions (hwxwd) (with cover)	1.8 x 9.1 x 1.25 inch 45 x 231.7 x 31.8 mm



Busbar 150 A with 4 stud terminals and cover



Recommended mounting



Busbar 150 A with 6 stud terminals
(cover not shown)