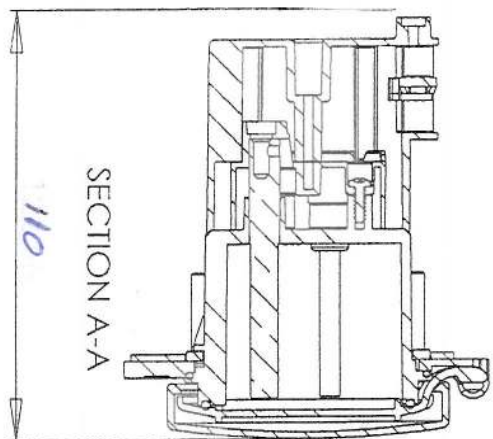
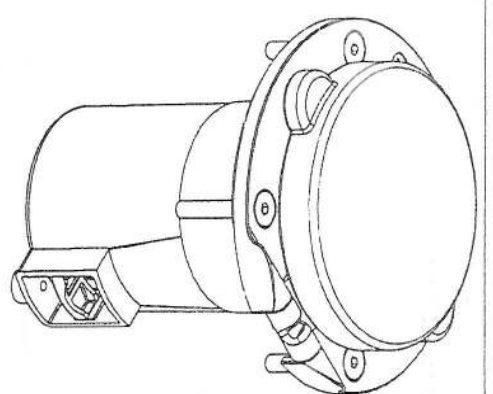
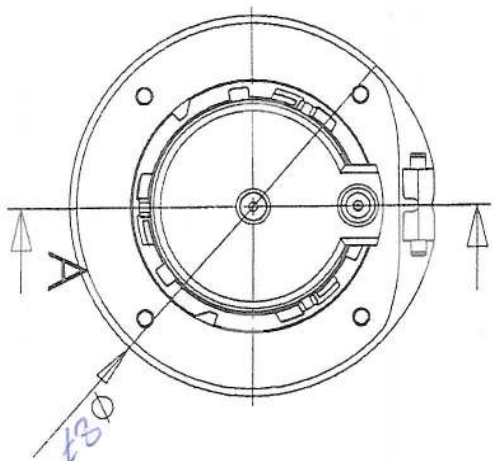
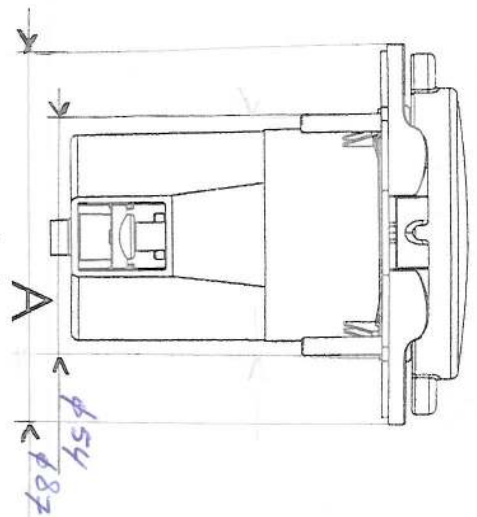
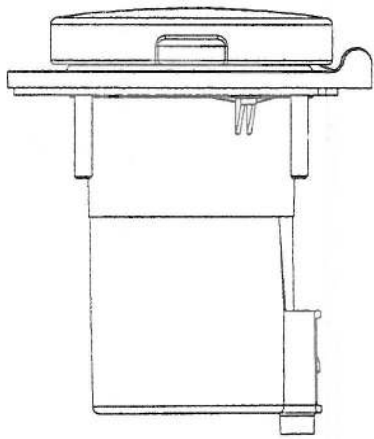
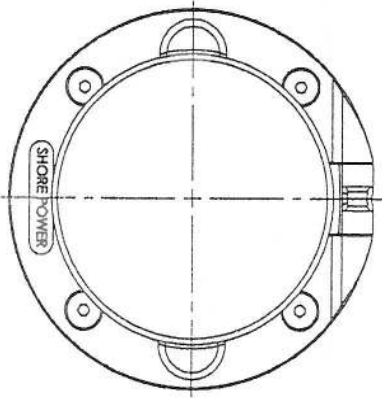


THE INFORMATION CONTAINED IN THIS DRAWING IS THE SOLE PROPERTY OF
 WEST production and ANY REPRODUCTION IN PART OR WHOLE WITHOUT
 THE WRITTEN PERMISSION OF WEST production IS PROHIBITED

PRODUCTION
 (3d-file leading)



UNLESS OTHERWISE SPECIFIED
 DIMENSIONS ARE IN MILLIMETERS
 TOLERANCES ARE ACCORDING
 DIN 16901

VOLUME:

MATERIAL:

FINISH:

DO NOT SCALE DRAWING



APPROVALS
 DRAWN: 3DE
 DATE: 6/29/2007

CHECKED: --
 NOTES: --

MP16-10 (inlet-assembly)

CL. ENT: --

SIZE DWG NO. A4

SCALE 1:2

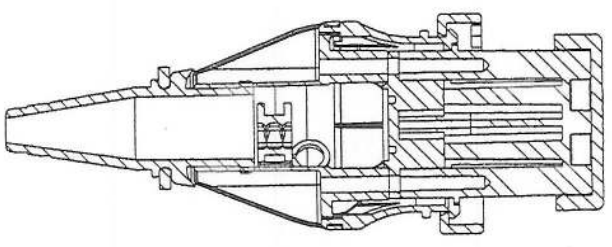
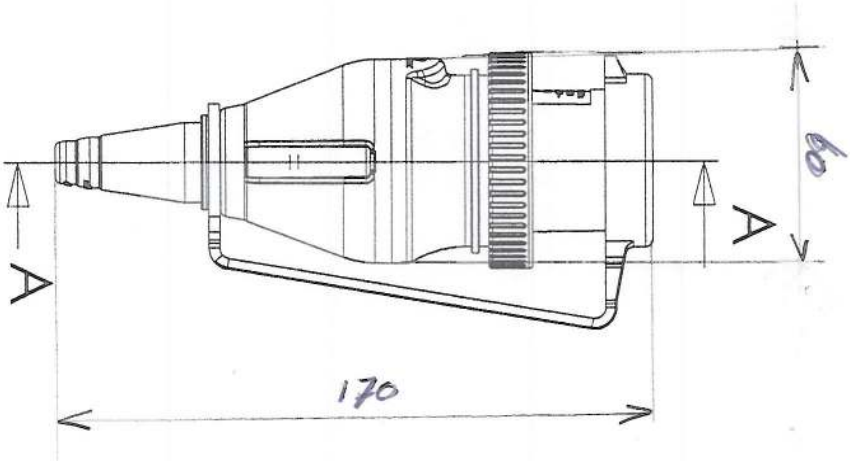
MP16-10

MP16-10 (inlet-assembly)

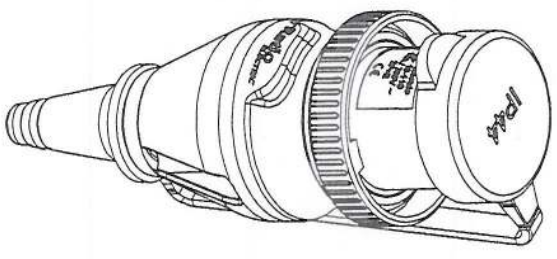
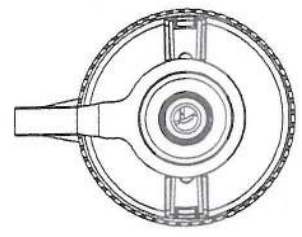
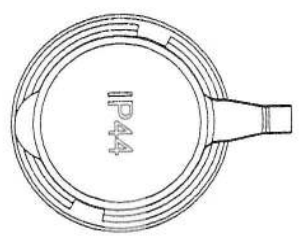
SHEET 2 OF 2



THE INFORMATION CONTAINED IN THIS DRAWING IS THE SOLE PROPERTY OF NOEST production/development. ANY REPRODUCTION IN PART OR WHOLE WITHOUT THE WRITTEN PERMISSION OF NOEST production/development IS PROHIBITED.

PRODUCTION
(3d-file leading)



SECTION A-A



UNLESS OTHERWISE SPECIFIED DIMENSIONS ARE IN MM TOLERANCES ARE ACCORDING DIN 16901		 CAD GENERATED DRAWING DO NOT MANUALLY UPDATE	
VOLUME:		 American projection	
MATERIAL:	..	APPROVALS	DATE
FINISH:	..	DRAWN	3DE 7/2/2007
CC: 3D CAD DRAWING		CHECKED	..
		NOTES	..
MP16-110(plug assembly)		CLIENT:	..
SIZE	DWG. NO.	MP16-110	REV
A4			